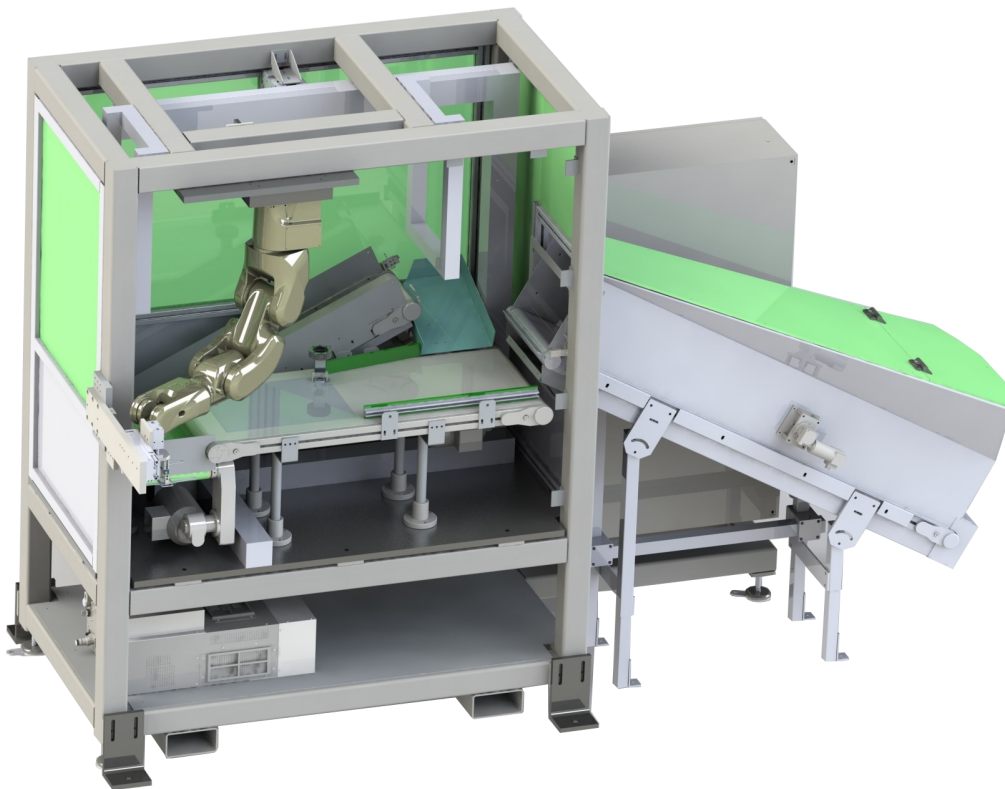


FlexType™ R



RNA's FlexType™ R flexible feeding system is a compact and proven package for handling complex and varied products, pre-configured and ready to use for fast integration. The solution combines robotics with intelligent vision software to deliver a complete system for flexible part feeding.

- **Great flexibility**

The FlexType™ R is the ideal feeder when flexibility is demanded in production. It allows for almost endless product line variations, feeding parts of any shape and geometry into any machine.

- **Easy to integrate**

The FlexType™ R can be integrated into assembly lines, stand-alone machines, and as upgrades to existing equipment for any industry.

- **Quick and easy part changeover**

Part changeover is rapid; selection on the user-friendly interface and a quick change-out of the end of arm tooling. Seamless, software-based product changeovers in minutes.

- **A variety of conveyor combinations**

The FlexType™ R offers a complete range of conveyor combinations depending on cell layout needs.

Features

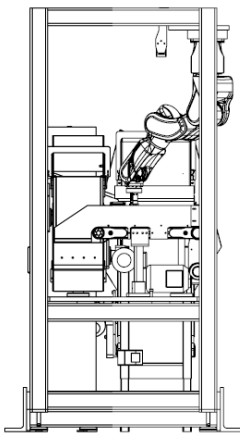
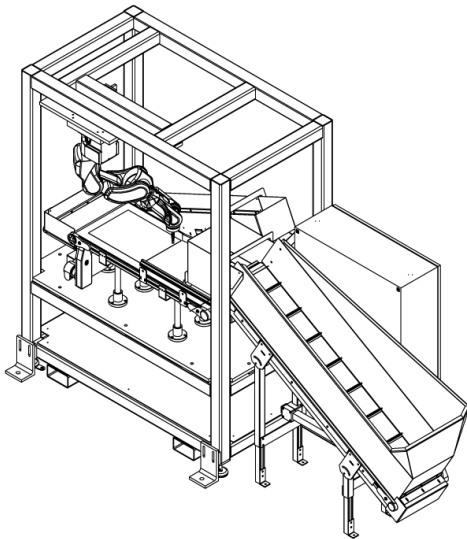
- Specifically designed for robot picking
- Integrated high performance FlexType™ R Vision systems
- Effective part separation
- User friendly, HMI controls interface
- Robot end of arm tool design, customised to part
- Various hopper size
- Various belt surfaces (flat / groove / anti-roll / other)

Benefits

- High availability for random part feeding
- Flexible multi part handling
- Rapid changeovers
- Easy configuration and installation
- Compatible with complex part geometries
- Precise part detection

Included in FlexType™ R

- RNA FlexType™ R Conveyor
- A suitable 6-axis robot depending on payload and reach
- Vision Inspection System
- Conveyor feeding system (depending on application)
- RNA Hopper (depending on application)
- Integrated control system with HMI
- Interlocked guarding



FlexType™ R Mini

FlexType™ R 200

FlexType™ R 300

SPECIFICATION

Pick Window (w x l)	100 x 200 mm	200 x 300 mm	300 x 400 mm
---------------------	--------------	--------------	--------------

Hopper



Various hopper sizes to suit your applications

Supply Power

240V a.c. 16 AMP

OPTIONS

Robot

Industrial 6-axis robot / cobot

Vision

high resolution vision system

Integrated LED lighting

backlight / toplight in various colours

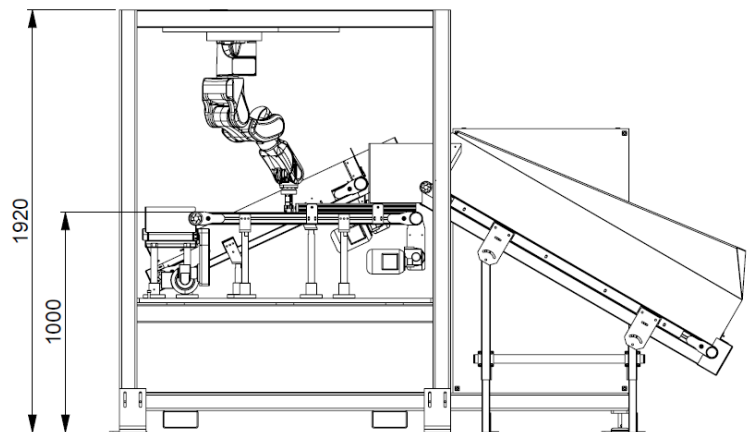
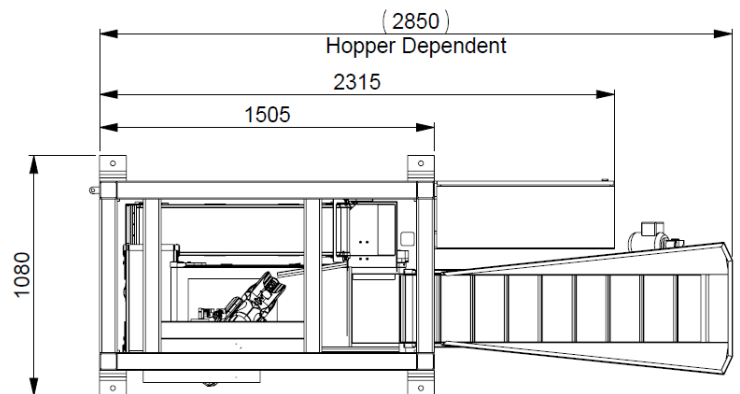
Various belt surfaces

flat / groove / anti-roll / other surface finishes and colours

Contact materials

FDA approved on request (e.g. pharmaceuticals, food)

FlexType™ R 300



RNA
We handle it.

RNA Automation Ltd
Unit C Castle Bromwich Business Park, Tameside Drive, Birmingham B35 7AG, UK
Tel: +44 (0)121 749 2566 • Fax: +44 (0)121 749 6217
Email: sales@rnaautomation.com • Web: www.rnaautomation.com