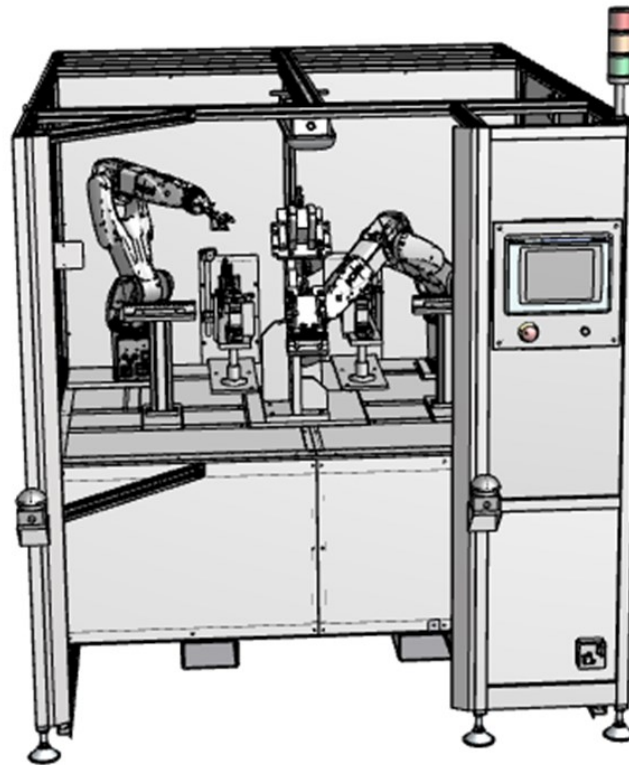


## Robot Clipping Systems



### Semi-automated and Fully automated Clipping Machines

RNA Robot Clipping Machines provide a standardised platform offering ease of use and fast, high-quality assembly to customers in the automotive sector. The clipping machine range includes semi-automated clipping cells and fully automated robot clipping machines. The poka-yoke design ensures proper clip assembly of automotive interior and exterior moulded components.

#### Clipping Application

- Single or Multi-Robot Cell
- Bowl feeder system(s)
- Full Poke Yoke for clip present

#### Ultrasonic Welding Application

- Single or Multi-Robot Cell
- Ultrasonic welding system
- Integrate welding in with the clipping operation

## Machine Features

- Machine Frame inclusive of base plate
- Machine Guarding/Safety
- Machine safety (light guards etc.)
- Robot gripper system (bespoke EOAT)
- 6-axis robot(s) depending on payload and reach
- Clip Feeding Equipment – Bowl, Linear & escapement
- Integrated control system with HMI
- Pneumatics – Air prep set/dump valve/valves
- Quick change facility on the machine for the component fixturing (option)
- Vision Inspection System (option)

## Benefits

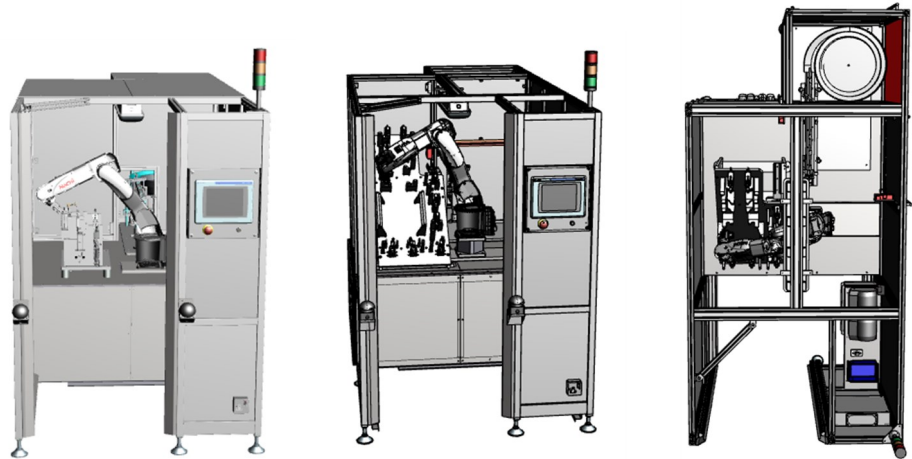
- Fast return on investment (ROI)
- Standard machine can be re-tool and re-program to suit different products
- Increasing productivity and efficiency
- Optimal utilization of floor space
- Improving production output and quality

## Robot Clipping System

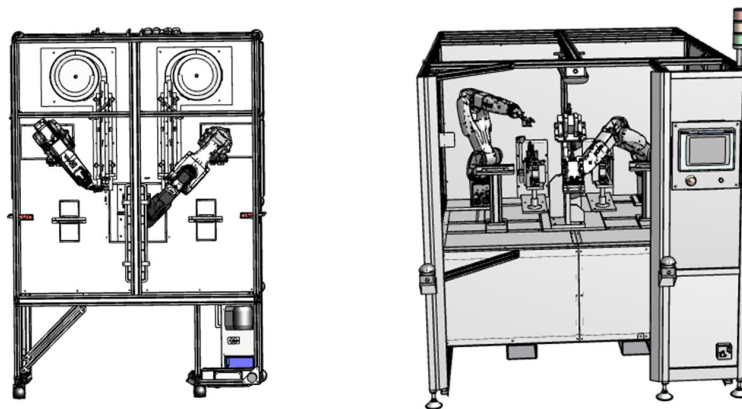
SPECIFICATION	
Product Type	Metal and plastic clips
Feeder(s)	Vibratory bowl feeder(s) to suit your application
Robot(s)	Industrial 6-axis robots for clip presentation and insertion
Fixtures/jigs	From manual clamping to complex automatic fixture to suit your application
OPTIONS	
Vision	High resolution vision inspection
Welding	Ultrasonic Welding
Quick change design	Quick change facility on the machine for the component fixturing
Poka-yoke design	Mistake proofing

## COMPACT MODULAR SYSTEM EXAMPLES

### Single Robot Clipping Cell



### Double Robot Clipping Cell



RNA Automation Ltd  
 Unit C Castle Bromwich Business Park, Tameside Drive, Birmingham B35 7AG, UK  
 Tel: +44 (0)121 749 2566 • Fax: +44 (0)121 749 6217  
 Email: sales@rnaautomation.com • Web: www.rnaautomation.com