



Spring Untangler FE-160S | High efficiency at low cost

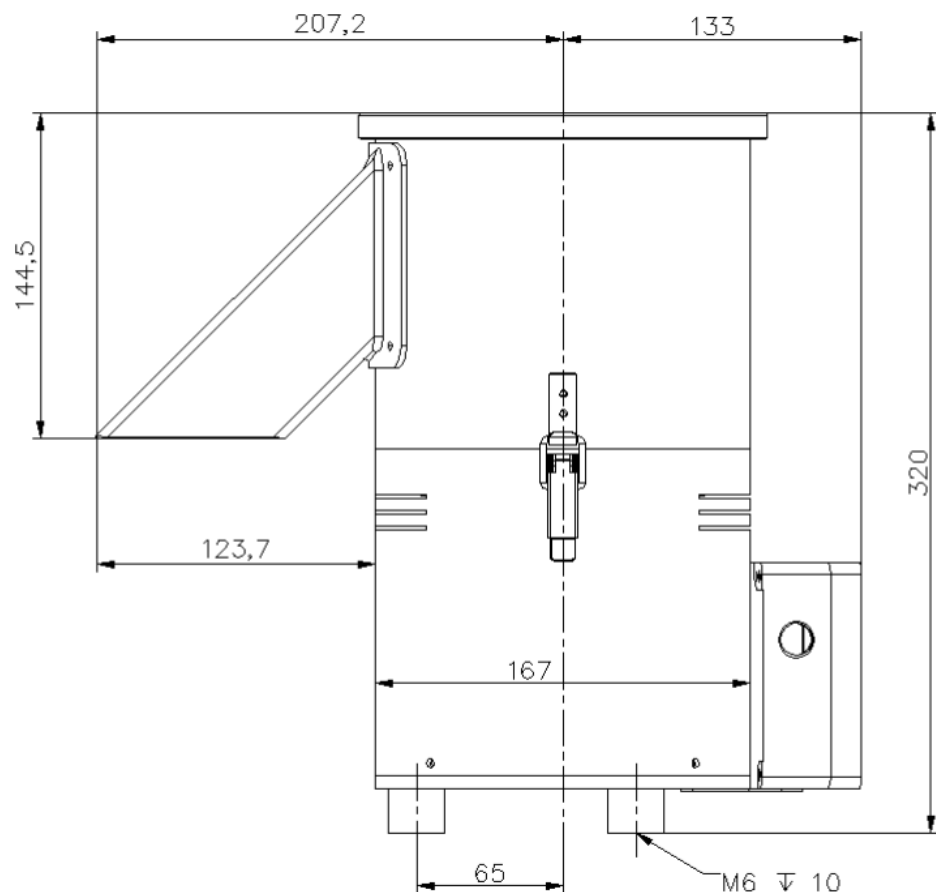
- For small to medium-size springs
- High reliability and untangling quote
- Integrable between hopper and bowl feeder or between two bowl feeders (for stockage and sorting)
- Housing made of stainless steel
- External On/Off switch with additional fuse

The RNA spring unangler is designed to untangle intertwined springs in order to use the untangled springs in the next process or to dispense the springs for the next device respectively.

The spring unangler is often used together with a bowl feeder or a hopper to store and then feed the springs to the unangler, which then then feeds the untangled springs to another bowl feeder for sorting.

Technical specifications:

	Unit	Value
Voltage	-	220V, 50Hz
Performance	W	90
Ampacity	A	0.4
Torque	U/min	1350
Type of protection	-	IP54
Temperature	°C	0 - 40
Humidity	%	10 - 90
Weight	Kg	12



RNA product range

- Collaborative Robot Solutions
- Automation Solutions
- Robotic Systems
- Vision Inspection Systems
 - Vision Inspection & Quality Control
 - Vision System Integration
 - Tablet Inspection
- Feeding and Handling Solutions
 - Bowl & Linear Feeders
 - Centrifugal Feeders
 - Step Feeders
 - Carpet Feeder
 - Sachet & Pouch Handling
 - Palletizing Systems



RNA Automation Ltd
 Unit C Castle Bromwich Business Park, Tameside Drive, Birmingham B35 7AG, UK
 Tel: +44 (0)121 749 2566 • Fax: +44 (0)121 749 6217
 Email: sales@rnaautomation.com • Web: www.rnaautomation.com