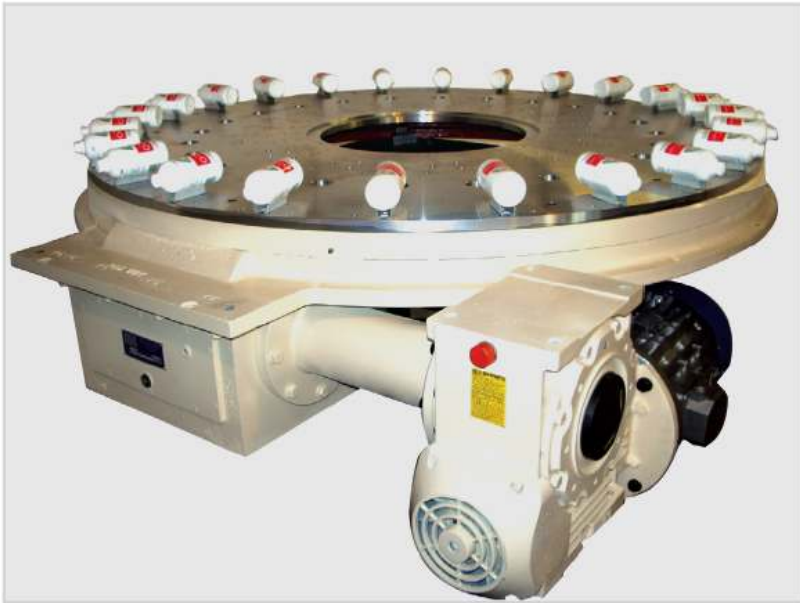
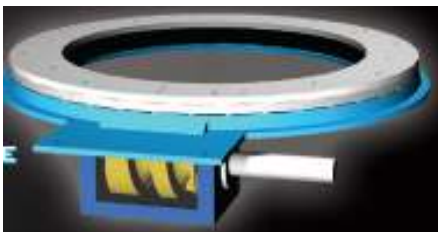


HIGH SPEED RING INDEXER TI-TIG

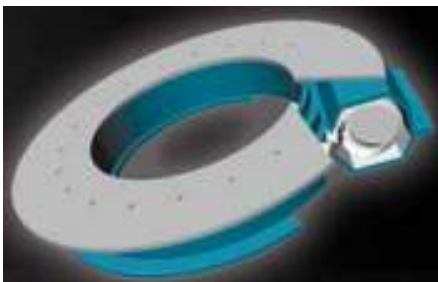


A robust and reliable rotary indexing ring with flat design; End user equipment can be mounted inside the large central hole of the TI-TIG; Suited for assembly operations, positioning and handling. The aluminum ring dial plate can be adjusted to your specifications in terms of thickness and diameter.

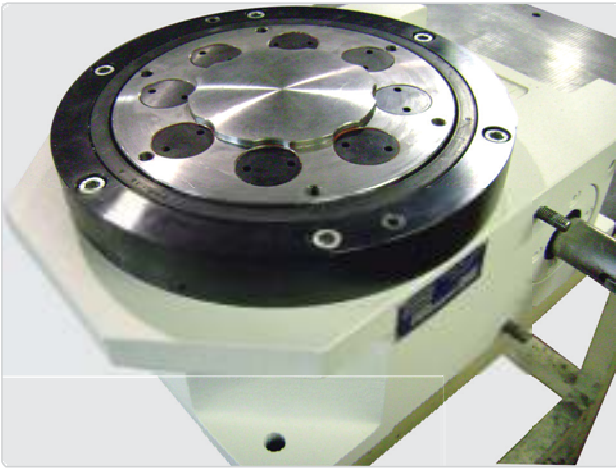
- Large open center of up to 1800 mm
- High degree of precision
- Large central hole to accommodate auxiliary equipment
- 4 sizes: 800-1200-1600-2400
- Slim construction - low internal inertia
- Optimum accuracy
- Heavy duty load capacity
- High speed
- Mechanisms with cylindrical cam (TI series) or globoidal cam (TIG series)



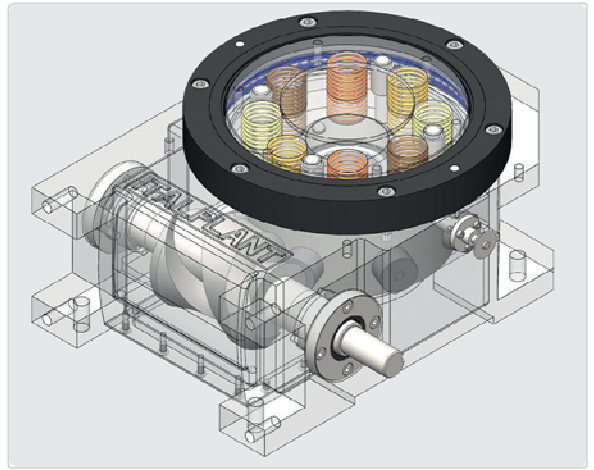
TI series (mm)	TI 800	TI 1200	TI 1600	TI 2400
Dial plate outside diameter:	780	1160	1540	2330
Dial plate inside diameter:	540	850	1150	1675
Height of assembly:	85	95	132	160



TIG series	TIG 1200	TIG 1600	TIG 2400
Dial plate outside diameter:	1200	1600	2400
Dial plate inside diameter:	500	900	900
Height of assembly	250	250	250



GLOBOIDAL CAM INDEXING UNITS HIGH SPEED 1000 RPM



ADJUSTABLE TRANSMISSION TORQUE (ATT) WITH SAFETY OUTPUT TORQUE LIMITER (SOTL)



CYLINDRICAL CAM INDEXING UNITS



HIGH SPEED RING INDEXERS



PRECISION LINK CONVEYORS

PLEASE CONTACT OUR TECHNICAL OFFICE FOR FURTHER INFORMATION



Via Gonin, 45/A, 45/B - 10137 Torino (Italy)
Tel. + 39.011.30.92. 177-30.99.485 - Fax + 39.011.30.95.080
www.italplant.com - e-mail: info@italplant.com