

## PLASTIC INDEXER



## PSX HD INDEXERS

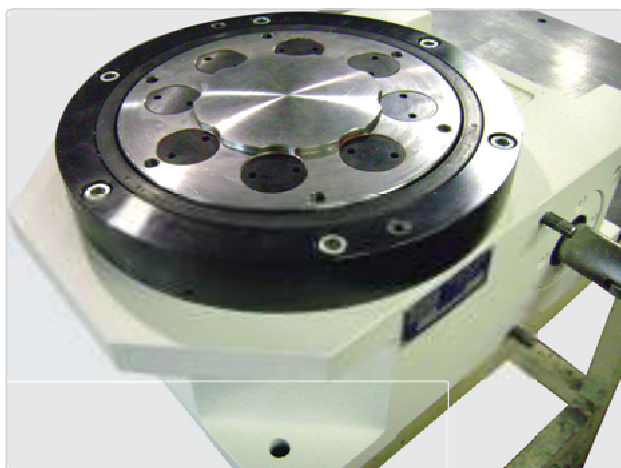
INTERNATIONAL PATENT N° TO 2012 A 000807

**Extremely light**  
**Suitable for corrosive and explosive environments**

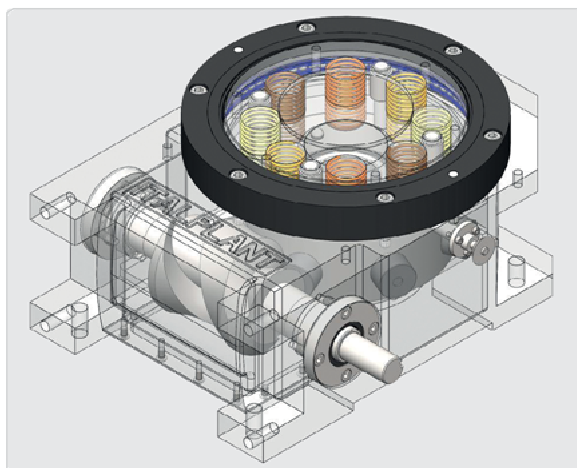
---



- Extremely lightweight
  - Noiseless
  - External dimensions are the same as series SX-HD
  - Possibility to use the same fixtures holes on rotating dial plate
  - No maintenance required
  - Waterproof
  - Suitable for food packaging
  - Carbon fibre turret for performance over 1200 c/m
  - Centre distances from 50 to 40mm
-



**GLOBOIDAL CAM INDEXING UNITS HIGH  
SPEED 1000 RPM**



**ADJUSTABLE TRANSMISSION TORQUE (ATT)  
WITH SAFETY OUTPUT TORQUE LIMITER (SOTL)**



**CYLINDRICAL CAM INDEXING UNITS**



**HIGH SPEED RING INDEXERS**



**PRECISION LINK CONVEYORS**

**PLEASE CONTACT OUR TECHNICAL OFFICE FOR FURTHER INFORMATION**



ViaGonin,45/A,45/B-10137Torino (Italy)  
Tel. + 39.011.30.92.177-30.99.485 - Fax + 39.011.30.95.080  
[www.italplant.com](http://www.italplant.com) - e-mail: [info@italplant.com](mailto:info@italplant.com)