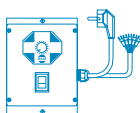
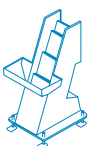
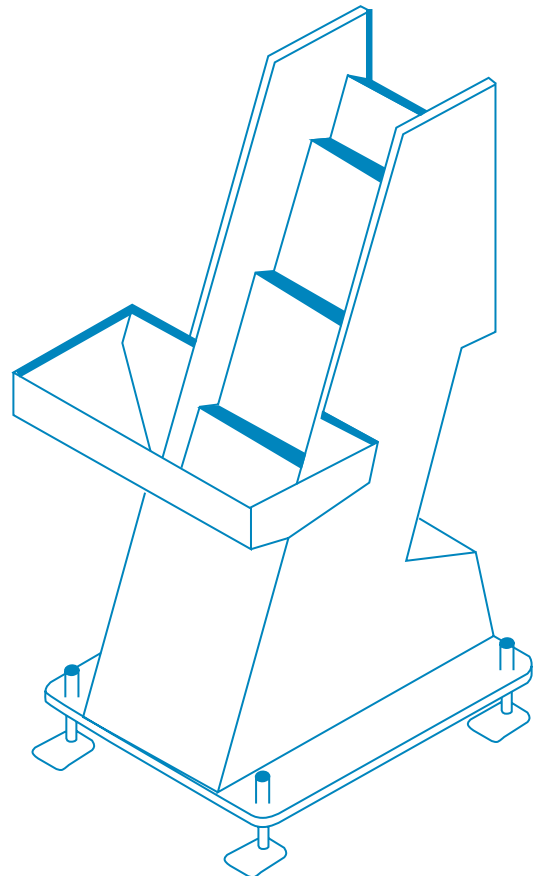




Standard Equipment

Step feeder

- Step feeder
- Accessories



RNA-Standard Equipment



RNA-The Company

With many years experience in the parts handling industry and nearly 2000 complete feed systems supplied annually, RNA have earned a reputation for the most robust and reliable equipment on the market. Our commitment to research and development maintains our position at the leading edge of feeding technology.

We provide an extensive range of the most efficient drive units, controllers and accessories for either standard or special requirements. All equipment is manufactured to the highest standards of quality upon which we have built our reputation.

We offer a first class service and, for standard equipment, immediate delivery from stock. Our product range is manufactured to meet the highest demands of the food and pharmaceutical industries and also includes equipment manufactured to UL and CSA standards.

Quality has always been of key importance to RNA, with each employee committed to make their own personal contribution to the achievement of quality standards and customer satisfaction. We know that long term success in business can only be achieved by providing high quality equipment, which fulfils the customers' requirements.

We look forward to talking to you!





RNA Step Feeder

This catalogue represents our complete range of step feeders, type STS.

The step feeder is manufactured so that the static hopper (which has a very low filling height), can be loaded manually. The components are collected from the hopper by elevating plates, pre-sorted and fed until they reach the desired transfer height.

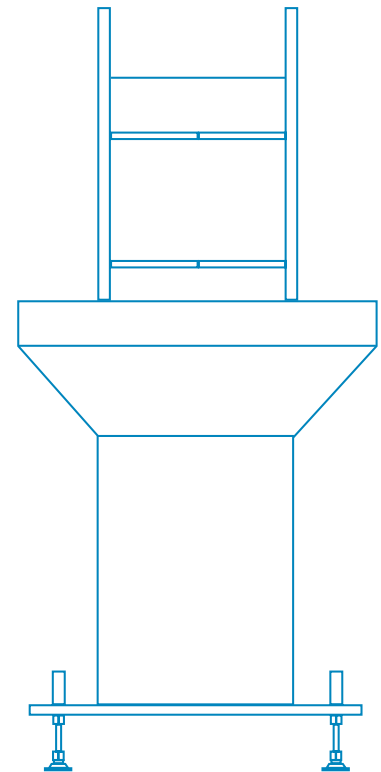
Key features of the RNA step feeder are that it operates quietly and without vibration.

Using a program for type STS, RNA are able to offer a strong concept for specific tasks in the feeding technique relating from bowl feeder to conveyors. High performance can be achieved with this program even with the smallest sorting features.

Our experienced staff are available to provide advice and offer a system which meets your specific requirements. The step feeder can be adapted and integrated with multi-lane tracks to meet your needs.

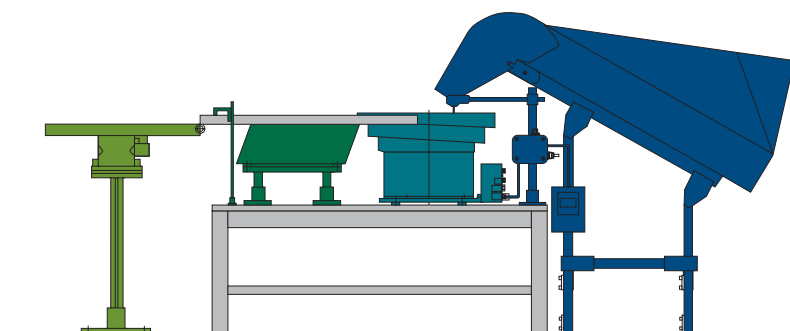
Contents

Subject	Page No.
RNA - The Company	page 2
RNA - Step Feeder	page 3
Type STS	page 4
Accessories	page 6
Linear Feeding System	page 7



Technical data is subject to change. All measurements are stated in millimetres.

Other product catalogues available from the RNA range



Colour of catalogues:

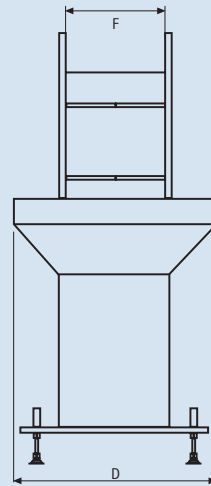
- Bulk Hoppers
- Linear Feeders
- Conveyors
- Bowl Feeders
- Control Boxes



Type STS

RNA type STS step feeders are available in five different sizes. A static hopper is integrated with all available sizes and because of its low filling height, manual filling is made easier. For large quantities of components hopper conveyors are also available (see below).

Hopper capacity, maximum filling weight, step quantity is variable to suit the application.



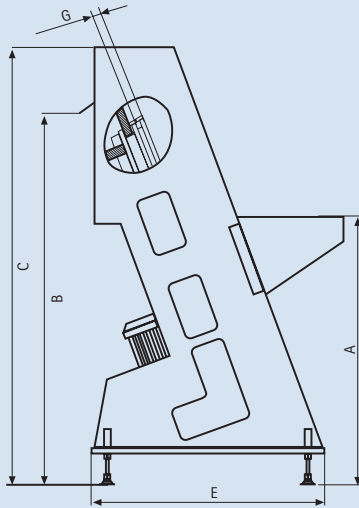
Type	150-4	220-4
A = Filling height +/-50	800	805
B = Discharge height +/-50	970	970
C = Overall height +/- 50	1145	1145
D = Overall width	500	500
E = Overall depth	600	650
F = Step width	150	220
G = Step depth	12/17/22/27	12/17/22/27
Step quantity	4	4
Footprint W x D	500 x 600 (0,3 m ²)	500 x 690 (0,35 m ²)
Elevation per minute	5-40	5-40
Hopper volume static [litre]	10	15
Maximum filling weight [kg]	20	30
Conveyor hopper volume* [litre]	30	30
Protection class	IP 54	IP 54

* optional

Technical data is subject to change



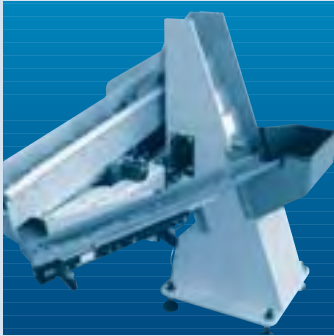
Type STS



220-6	320-6	500-8
850	850	850
1200	1200	1500
1425	1425	1675
500	650	780
790	850	980
220	320	500
12/17/22/27	17/22/27/32	17/22/27/32
6	6	8
500 x 740 (0,4 m ²)	600 x 740 (0,45 m ²)	780 x 800 (0,6 m ²)
5-40	5-40	5-40
15	30	30
30	60	60
30	50	50
IP 54	IP 54	IP 54



Accessories



Equipment for linear sorting:

Linear slide feeder type SLG
(patented)

Others:

Linear feeder type SLL
Conveyors

Accessories for linear sorting:

Return chute
Stand and framework for mounting

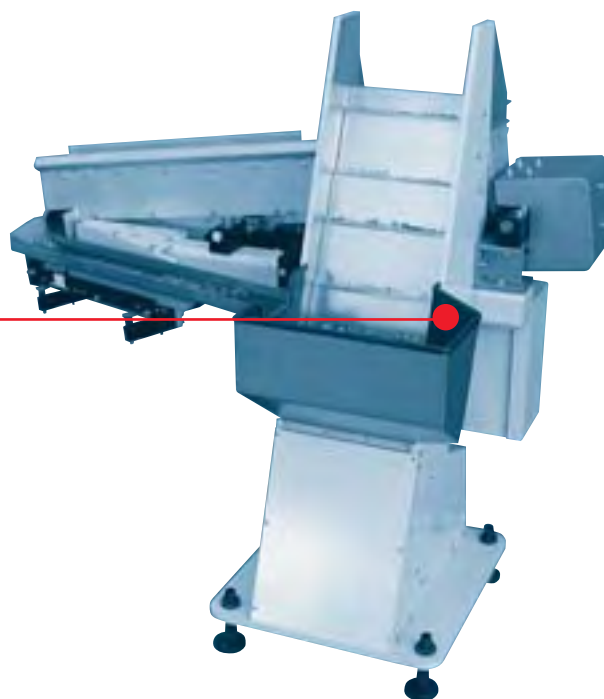


General Accessories:

Noise protection
Cover for static hopper

Coating of hoppers

- Polyurethane
- Spray coating



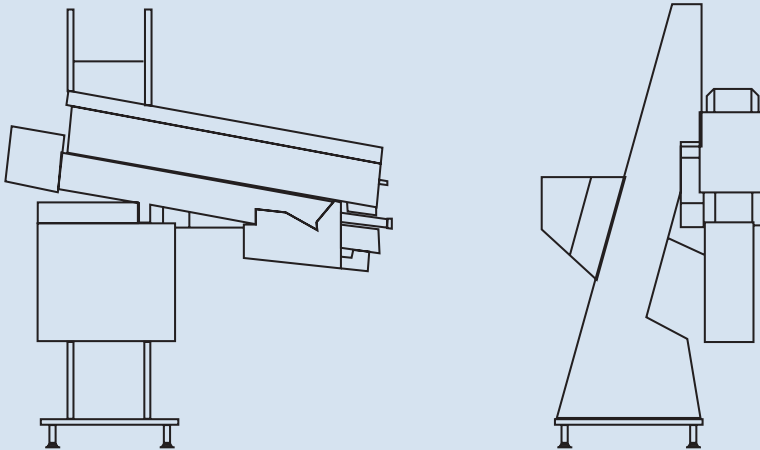
Control:

Standard Control box
EBF 05
Full system Control

Bulk hopper



Linear Feeding System



Linear Feeding System with Patent Linear Slide Feeder

Step feeder type STS combined with the linear slide feeder type SLG, form a new linear feeding system. The integrated static hopper on the step fee-

der will pick up components and transfer them pre-sorted over elevating plates to the horizontal sorter of the linear slide feeder.

Advantage of Feeding System

Overall system type LZS	Complete system with component rotation and integration with sorter
Step feeder type STS	Step feeder has the following characteristics: <ul style="list-style-type: none"> • Alternating elevating plates • Compact dimensions • High quality and robust • Integrated mounting for the linear slide feeder SLG820
Linear slide feeder type SLG 820	<ul style="list-style-type: none"> • Linear feeder with suspension, no vibration to the system when feeding various sized components • Smooth running, components glide across the conveyor without lifting • Standard equipment with escapement to attach individual multi lane output-tracks • Frequency up to 60 Hz. The smooth running is very beneficial where there is a critical interface • Quick and easy accessibility for any tuning work
Pick up orientation device	A coated trough is positioned on the step feeder and individual multi lane output-tracks can be easily installed
Return of components	The components are returned to the hopper quietly and gently by way of a brush coated vibrating chute
Performance	With the combination of RNA standard equipment orientation speeds from 10-15 m/min can be achieved even with components, which have the smallest sorting features
Orientation device tuning	Additional tuning using a standard RNA frequency controller





Rhein-Nadel Automation GmbH

Reichsweg 19-42
D-52068 Aachen
Tel.: +49 (241) 5109-0
Tel. Vertrieb: +49 (241) 5109-159
Fax: +49 (241) 5109-219
E-Mail: vertrieb@rna.de
www.rna.de

HSH Handling Systems AG

Wangenstr. 96
CH-3360 Herzogenbuchsee
Tel.: +41 (62) 956 10-00
Fax: +41 (62) 956 10-10
E-Mail: info@handling-systems.ch
www.rna.de

RNA Automation LTD

Hayward Industrial Park Tameside Drive,
Castle Bromwich, Birmingham, B35 7AG
Tel.: +44 (121) 749-2566
Fax: +44 (121) 749-6217
E-Mail: rna@rna-uk.com
www.rna-uk.com

Vibrant S.A.

Pol. Ind. Famades c/Energia, Parc 27
E-08940 Cornellà de Llobregat (Barcelona)
Tel.: +34 (93) 377-7300
Fax: +34 (93) 377-6752
E-Mail: info@vibrant-rna.com
www.vibrant-rna.com

RNA Automated Systems, Inc

10 Kenmore Avenue, Unit 2
Stoney Creek, Ontario
Canada, L8E 5N1
Tel.: +1 (905) 643-1810
Fax +1 (905) 643-1652
Mobile +1 (905) 975-6562
E-Mail: sales@rna-can.com
www.rna-can.com

September 2006

4125

