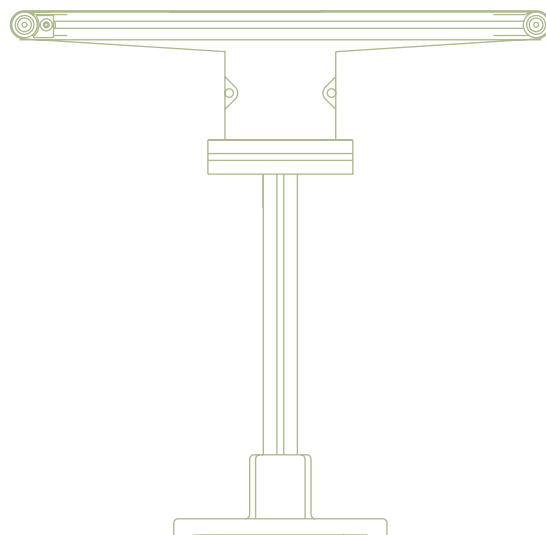


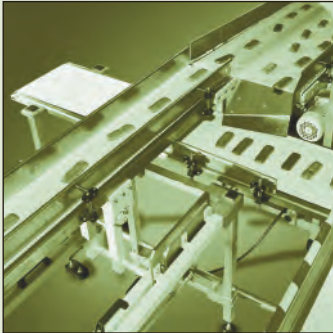
Standard Equipment

- Mini band conveyors
 - Conveyors
 - Optional Extras
 - Controls
- Special conveyors

Conveyors



RNA-Feeding Technology Conveyors



RNA-The company

With many years experience in the parts handling industry and nearly 1.000 conveyors supplied annually, RNA have earned a reputation for the most robust and reliable equipment on the market. Our commitment to research and development maintains our position at the leading edge of feeding technology.

Our conveyor range is suitable for feeding small and medium sized components in dry, damp and wet conditions. They can be used for accumulation and in continuous, indexing or inclined operation. Special units can be designed to suit high temperature conditions.

We offer a first class service and high quality equipment. All conveyors are fully checked before leaving our factory in order to meet the highest demands of our customers.

Quality has always been of central importance to RNA, with each employee committed to make their own personal contribution to the achievement of quality standards and customer satisfaction. We know that long term success in business can only be achieved by providing high quality equipment, which fulfils the customer requirements.



RNA Conveyors

This catalogue represents our complete range of conveyors. Included are RNA mini-band conveyors type FP15E and FP15D, with optional belt widths of 10, 20 or 30mm and lengths of 200-2,000mm. FK120 and FP120 conveyors are available in either steel or aluminium profile.

These conveyors can offer belts from 50-400mm in width and lengths of 500-12,000mm.

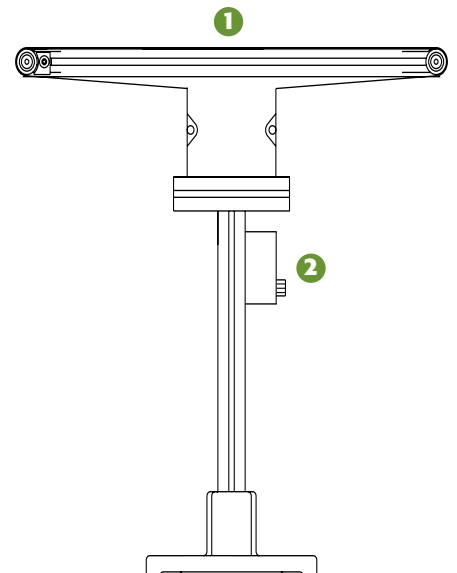
Accessories (knife edges, side guides etc) control units and stands augment our comprehensive range of products. Beyond the standard range we are well equipped to meet specific customer requirements.

Swan neck + Z conveyors are just some of the options available to meet your special requirements.

Our experienced staff are available to provide advice and to offer a solution which meets your specific needs.

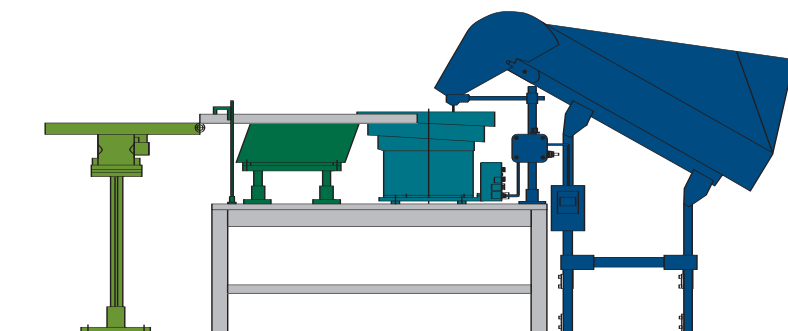
Contents

Subject	see page
RNA-The company	page 2
RNA-Conveyors	
Mini-band conveyors FP15 E and FP15 D	page 4
Conveyors FK120 and FP120	page 6
Optional Extras FK120 and FP120	page 8
Controls	page 9
Special conveyors	page 10
Enquiry form	page 11



Subject to technical modification

More product catalogues from the RNA range of equipment



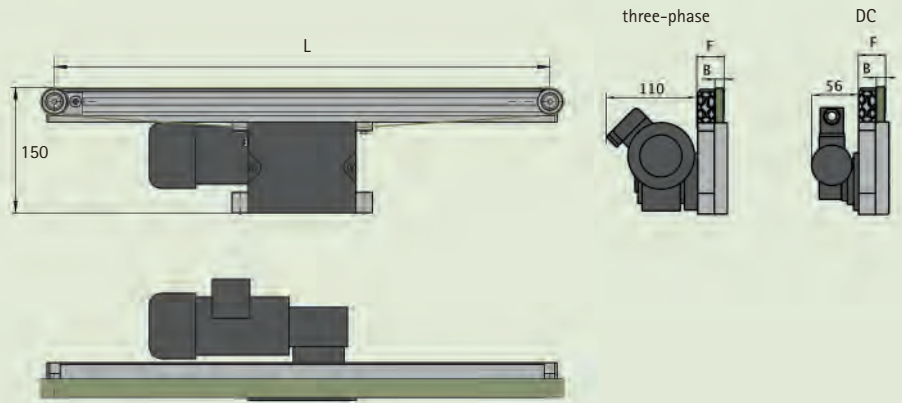
Colour of catalogue:

- Bulk Hopper
- Bowl feeder
- Linear feeder
- Step feeder
- Control boxes



Mini-band conveyors FP15 E and FP15 D

RNA mini-band conveyors type FP15 E and FP15 D are manufactured from aluminium profile and are especially suitable in small confined spaces. The knife edge construction makes it possible to overcome potential problems at critical transfer points. The FP15D is a twin-band conveyor used to transport hanging parts. A benefit of this unit is that the installation of escapements between conveyors is made easier.



FP15 E with idler roller

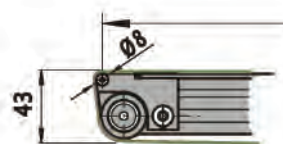


Standard equipment (Derivations on request)

Type	FP15 E	FP15 D
L = Centre distance	200 - 2.000 mm	200 - 2.000 mm
B = Belt width	10, 20 or 30 mm	10, 20, 30 mm or round belt
Roller diameter	30 mm	30 mm
V = Adjustable gap	---	5-25, 20-55 or 50-85 mm
F = Body width	B+22 mm	B+22 mm
Conveyor load	5-10 kg	5-10 kg
Protection class	IP 54	IP54



Knife edge FP15



Knife edges - both ends (rolling)

Conveyor belts

Suitability of the belts Back-pressure, continuous, wet operation

The belts are antistatic and FDA approved on request

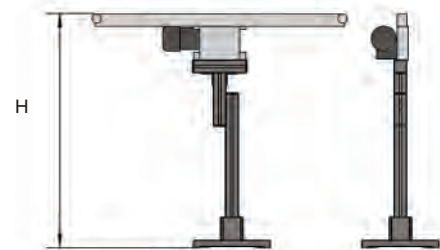
Optional Extra

Floor Stands

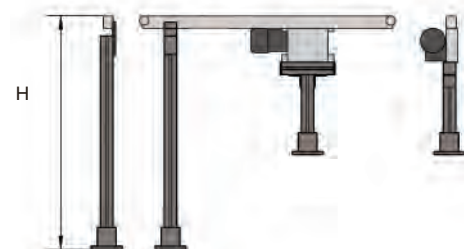
Type	FZK15 B
H = Transport height	450 - 1.900 mm
Adjustable gap	± 30 mm

Support Stands

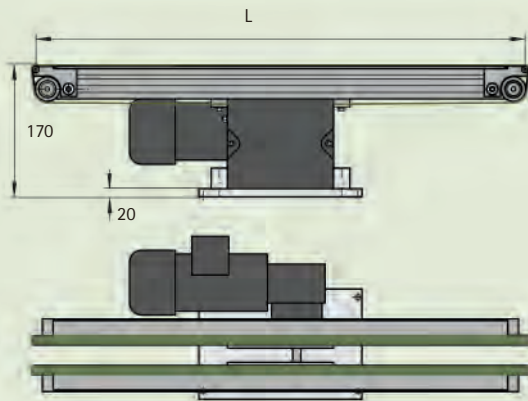
Type	FZK15 S	FZK15 G
H = Transport height	450 - 1.900 mm	



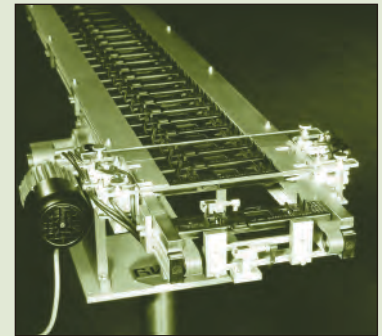
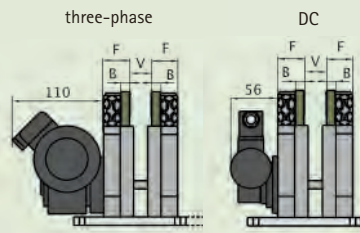
Floor stand FZK15 B



Support stand FZK15 S and FZK15 G



FP15 D with knife-edge



Guiding station FP15

Speed

Constant Beltspeed - 3 phase

Beltspeed	9, 15, 21 - 37 m/min
Voltage	230/400 V 50Hz
Recommended control	Motor safety switch PKZ M

Constant Beltspeed - AC

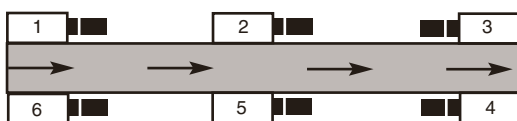
Beltspeed	9 and 15 m/min
Voltage	230 V 50Hz
Recommended control	Motor safety switch PKZ C

Variable Beltspeed - 3 phase

Beltspeed *	0,5 - 30 m/min
Voltage	230/400 V 50Hz
Recommended control	EBF 05

Variable Beltspeed - VDC

Beltspeed *	2 to 13 m/min
Voltage	24 VDC
Recommended control	EBC 3



Motor position

Please specify your requirements when ordering

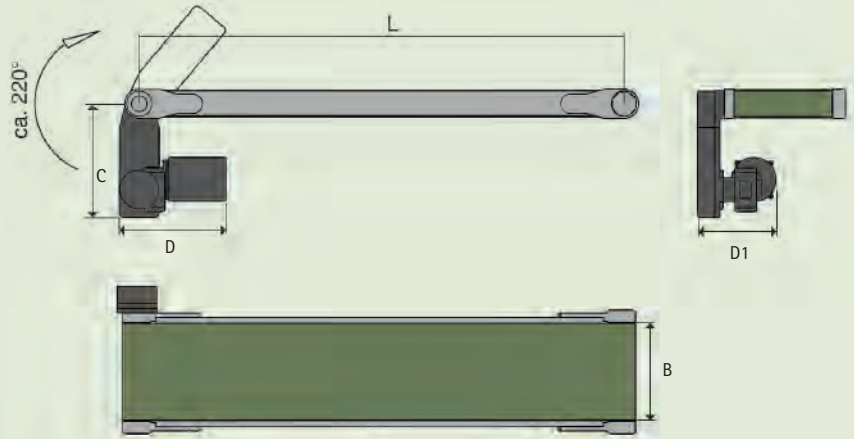
* Ratio 1:4

** For lengths of 1,500mm onwards we recommend two stands

Conveyors FK120 and FP120

RNA conveyor systems FK120 and FP120 are suitable for all kinds of industries. Our standardised systems can easily be adapted to feed your parts in the most efficient way.

The body of the FP120 consists of aluminium profile. Stainless steel systems and different types of belts are also available.



FK120 end mounted drive unit



Standard Equipment (Derivations on request)

Type	FK120 & FP120
L = Length	500 - 12.000 mm
B = Belt width	50 - 400 mm
C = Height of motor top plate	C _{min} = 260 mm / C _{max} = 320 mm
D = Drive unit	D _{min} = 356 mm / D _{max} = 402 mm
D1 = Drive unit	D _{1min} = 172 mm / D _{1max} = 224 mm
Roller diameter	52
Conveyor load	max. 100 kg
Protection class	IP 54

Mid position motor

Knife edge (rolling) diameter 8 mm

Conveyor Belts

Suitability of the belt Back-pressure, continuous, wet operation

The belts are antistatic and FDA approved on request

Slat belts

K10

T20

L35

Slat belts are not suitable for mid-position motors and support rollers

Underguarding and Catchtray

In accordance with our safety regulations we recommend underguarding when using a slat belt

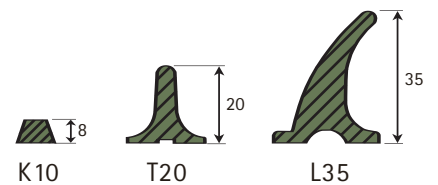
A tank is used to catch liquid, fitted with a tap to connect a 3/4" hose pipe



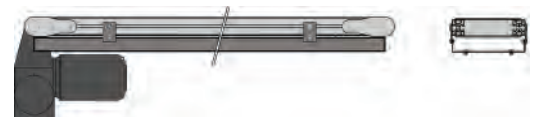
Mid position motor FP120



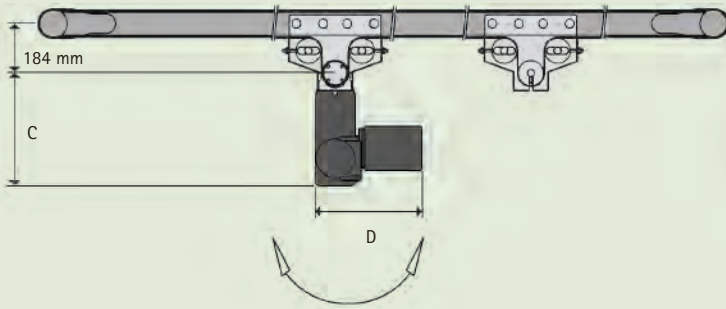
Knife edge FP120



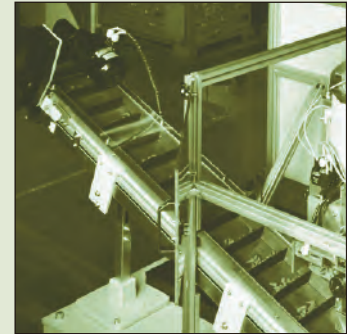
Slat type



Underguarding

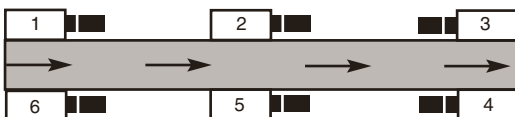


FK120 with central drive and tensioning device (from 5.000mm upwards)



Detail FP120
Aluminium profile

Detail FK120
steel frame



Beltspeed

Constant Beltspeed - 3 phase

Beltspeed	0,5 - 100 m/min
Voltage	230/400 V 50Hz
Recommended control	motor safety switch PKZ M

Constant Beltspeed - AC

Beltspeed	0,5 - 30 m/min
Voltage	230 V 50Hz
Recommended control	motor safety switch PKZ C

Variable Beltspeed - 3 phase

Beltspeed *	0,25 - 80 m/min
Voltage	230/400 V 50Hz
Recommended control	EBF 05

Variable Beltspeed - VDC

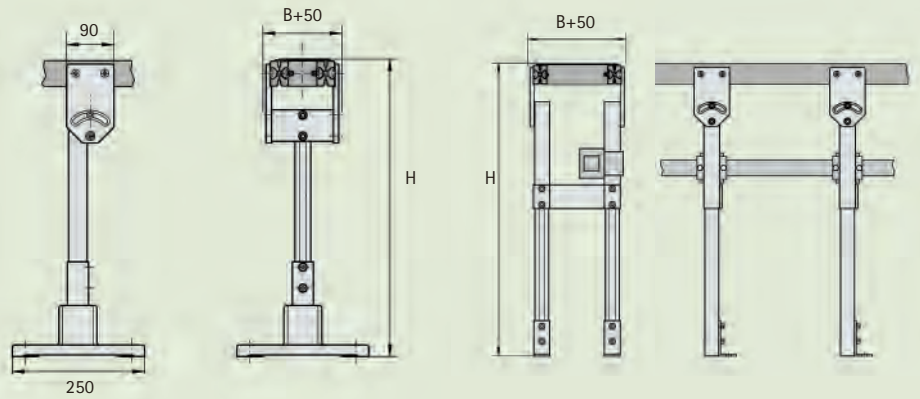
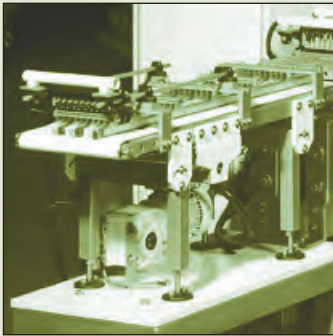
Beltspeed *	0,25 - 80 m/min
Voltage	180 VDC
Recommended control	EBC 10

* ratio 1:4

Motor position

Please indicate your requirements when ordering

**Optional extra
FK120 and FP120**



B = Belt width
Floor stand FZK121

Floor stand FZK123



Stands (drawing as above)	FZK121	FZK123
---------------------------	--------	--------

H = Transport height	450 - 1.900 mm	
----------------------	----------------	--

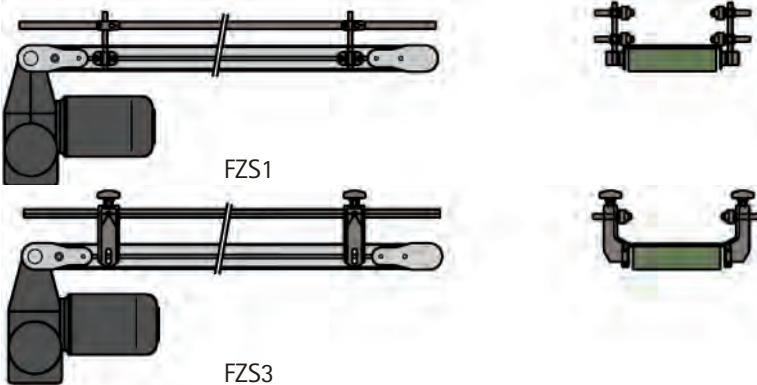
Adjustable gap	± 70 mm	
----------------	---------	--

Folded skidplate type FZS 2



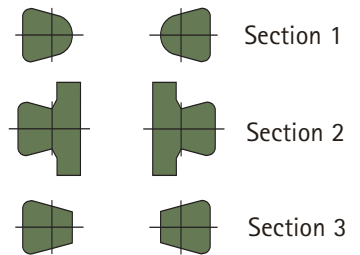
FZS2

Rail guides type FZS1 und FZS3



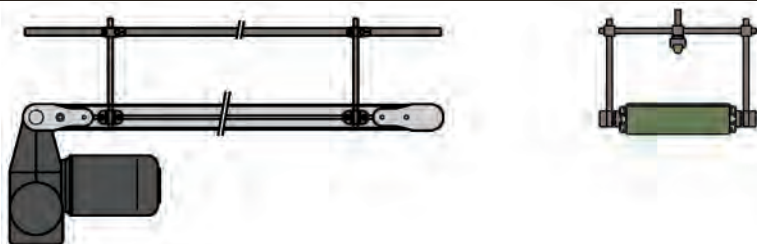
FZS1

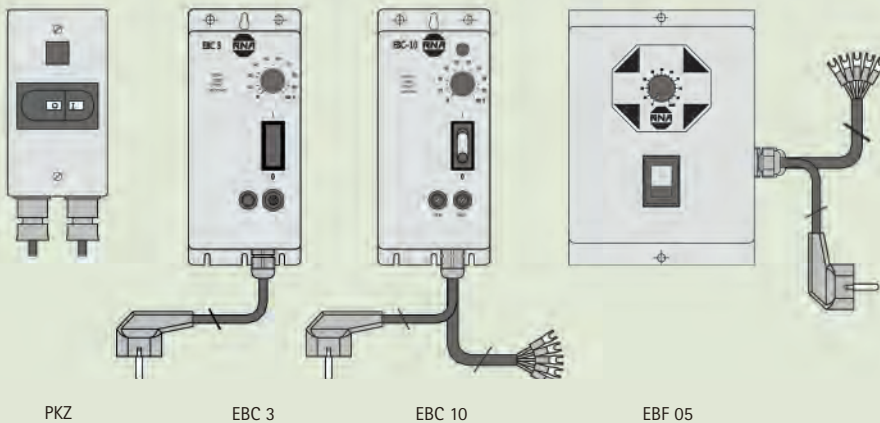
FZS3



**Guide Sections to be chosen
for rail guides and top rails**

Top rail





PKZ

EBC 3

EBC 10

EBF 05



PKZ

PKZ motor protection switch for fixed speed conveyors

- Types FP15, FK/FP120, FK/FP300 with 3-phase or AC motors
- Manual operated switch with thermal and magnetic trips
- Mains cable complete with plug
- Plastic housing with flange mounting
- Voltage 230/400 V 50-60Hz protection class IP55



EBC3

EBC3 controller for RNA variable speed conveyors

- Types FP15 E and FP15 D with VDC motors
- Regulated output voltage which remains constant with varying loads on the conveyor
- Selectable input voltages 110V ac or 230 Vac 2 amps
- Remote Start/Stop facility built in
- Metal casing with fixing flanges
- Motor connection via plug on front plate
- Protection class IP 54



EBC10

EBC10 controller for RNA variable speed conveyors

- Types FK/FP120 and FK/FP300 with VDC motors
- Min/max revolutions to be set to 1:4 ratio
- Over current switch with interruption LED
- Adjustable slow start and stop
- Useable status signal via opto-coupler
- Metal housing with flange mounting
- Input Voltage 230 V 50-60Hz, protection class IP54



EBF05

EBF05 frequency controller for conveyors/hoppers with variable speed

- Motor currents max. 370 or 750 watts
- External switch-off possible
- Speed settings using internal potentiometer
- Integrated EMV - filter
- Aluminium housing
- Voltage 230 V, 50-60Hz, Protection IP54

Special conveyors

Conveyors FK300 and FP300

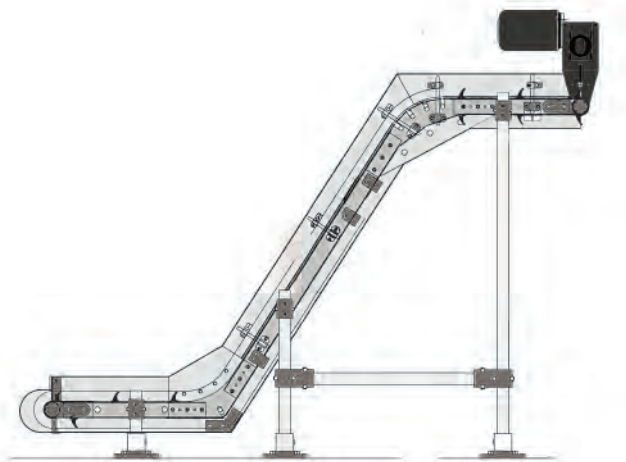
The conveyor type FK/FP300 can be used for a total area load up to 40kg and belt widths up to 1.500 mm. The distance between centres can go up to 12.000 mm.



FK 300 with side rails

Swan neck and Z-conveyors

These types of conveyors are used in small confined spaces. The conveyors are specially designed by our project team to meet specific requirements.



Swan neck conveyor

Conveyors with flighted belts

Particularly suited for separation and careful feeding of sensitive parts.



Conveyors with flighted belt


Sender

Comany

Department

Contact name

Street

City, Postcode, Country

Telephone

Fax

E-Mail

Internet

Your ENQUIRY:

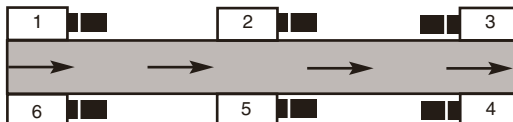
L = Centre distance (mid roller to mid roller): _____

B = Belt width: _____

 Belt: accumulation continuous inclined operation damp conditions

 Belt type: FDA Belt with _____ slats Slats height _____ mm

Motor position:


 Beltspeed: 3 - phase constant: _____ m/min or variable: _____ m/min

 AC constant: _____ m/min

 VDC variable: _____ m/min

 Knife edge: yes no

Sides guides: _____ mm high

 Controls: with control box with PKZ-switch

 Stands: with discharge height _____ mm



Rhein-Nadel Automation GmbH

Reichsweg 19-42
D-52068 Aachen
Telefon ++49 (241) 5109-0
Telefon Vertrieb ++49 (241) 5109-159
Telefax ++49 (241) 5109-219
E-Mail: vertrieb@rna.de
www.rna.de

HSH Handling Systems AG

Wangenstr. 96
CH-3360 Herzogenbuchsee
Tel.: +41 (62) 956 10-00
Fax: +41 (62) 956 10-10
E-Mail: info@handling-systems.ch
www.rna.de

RNA Automation LTD

Hayward Industrial Park Tameside Drive,
Castle Bromwich, Birmingham, B35 7AG
Tel.: +44 (121) 749-2566
Fax: +44 (121) 749-6217
E-Mail: rna@rna-uk.com
www.rna-uk.com

Vibrant S.A.

Pol. Ind. Famades c/Energia, Parc 27
E-08940 Cornellà de Llobregat (Barcelona)
Tel.: +34 (93) 377-7300
Fax: +34 (93) 377-6752
E-Mail: info@vibrant-rna.com
www.vibrant-rna.com

RNA Automated Systems, Inc.

10 Kenmore Avenue, Unit 2
Stoney Creek, Ontario
Canada, L8E 5N1
Tel.: +1 (905) 643-1810
Fax: +1 (905) 643-1652
Mobile: +1 (905) 9756562
E-Mail: sales@rna-can.com
www.rna-can.com

March 2005