



BVL Hoppers

Overview

RNA has an off the shelf range of standard equipment of hoppers and elevators. From a 5L vibratory BVL type hopper to a 350L BFK inclined hopper RNA can supply off the shelf with short lead times and competitive prices.

RNA hoppers are designed and manufactured in house to your requirements and almost all sizes and shapes of component can be catered for. The RNA standard control box units have been designed to control the bulk hopper level sensing in harmony with the bowl feed system in a single compact unit.



Abb.: BVL 5 VA



- Stainless steel hopper, easily integrated with RNA standard equipment and control boxes
- Available in a range of sizes
- Suitable for lightweight parts and pharmaceutical applications
- Off the shelf spares readily available for this cost-effective hopper

RNA product range

Automation Solutions

Robotics Systems

Vision Inspection Systems

- Vision Inspection & Quality Control
- Vision System Integration
- Tablet Inspection

Feeding and Handling Solutions

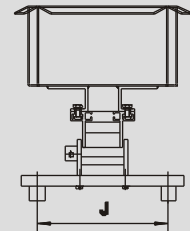
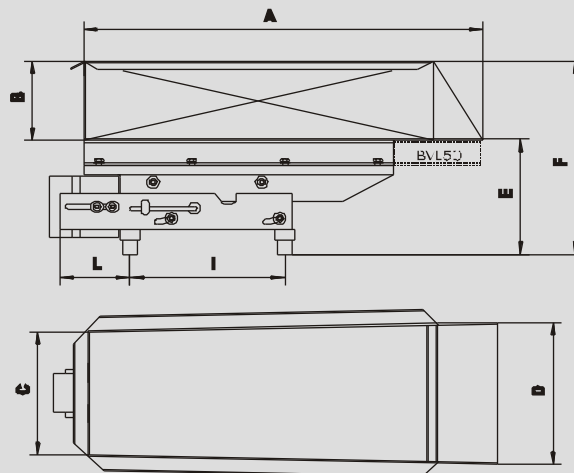
- Bowl & Linear Feeders
- Centrifugal Feeders
- Step Feeders
- Carpet Feeder
- Sachet & Pouch Handling
- Palletizing Systems

Standard:	<ul style="list-style-type: none"> • Hopper in stainless steel VA • Voltage 200V / 50Hz
Optional Extras and Accessories:	<ul style="list-style-type: none"> • 316 stainless steel • Hopper covered with polyurethane • Voltage (110V/50-60Hz; 220V/50-60Hz) • Outlet Chute • Control Units • Level controller <i> EFP Contact Sensor</i> <i> NCS Non Contact Sensor</i> • Stands <i> Floor</i> <i> Baseplate</i>



Product Specifications

	BVL 5	BVL 15	BVL 25	BVL 50
Volume	5 L	15 L	25 L	50 L
Weight	15 kg	20 kg	25 kg	50 kg
Drive Unit	SLL 400-400		SLL 400-800	SLL 804-800
Dimensions (mm)				
A	515	700	885	1.015
B	150	150	150	200
C	170	220	220	280
D	190	256	250	320
E	165	163	163	228
F	275	313	313	428
I	200	300	450	300
J	170	220	220	230
L	90	90	90	180



UK Contact:
RNA Automation Ltd
Hayward Industrial Park
Tameside Drive
Castle Bromwich
Birmingham B35 7BT
United Kingdom

Tel: +44 (0)121 749 2566
Fax: +44 (0)121 749 6217
Email: sales@rnaautomation.com
Web: www.rnaautomation.com

