



BU-W Hoppers

Overview

RNA has an off the shelf range of standard equipment of hoppers and elevators. From a 5L vibratory BVL type hopper to a 350L BFK inclined hopper RNA can supply off the shelf with short lead times and competitive prices.

RNA hoppers are designed and manufactured in house to your requirements and almost all sizes and shapes of component can be catered for. The RNA standard control box units have been designed to control the bulk hopper level sensing in harmony with the bowl feed system in a single compact unit.



RNA product range

Automation Solutions

Robotics Systems

Vision Inspection Systems

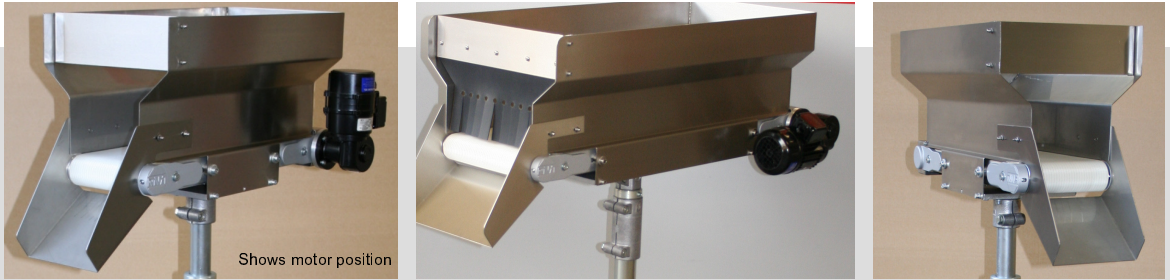
- Vision Inspection & Quality Control
- Vision System Integration
- Tablet Inspection

Feeding and Handling Solutions

- Bowl & Linear Feeders
- Centrifugal Feeders
- Step Feeders
- Carpet Feeder
- Sachet & Pouch Handling
- Palletizing Systems

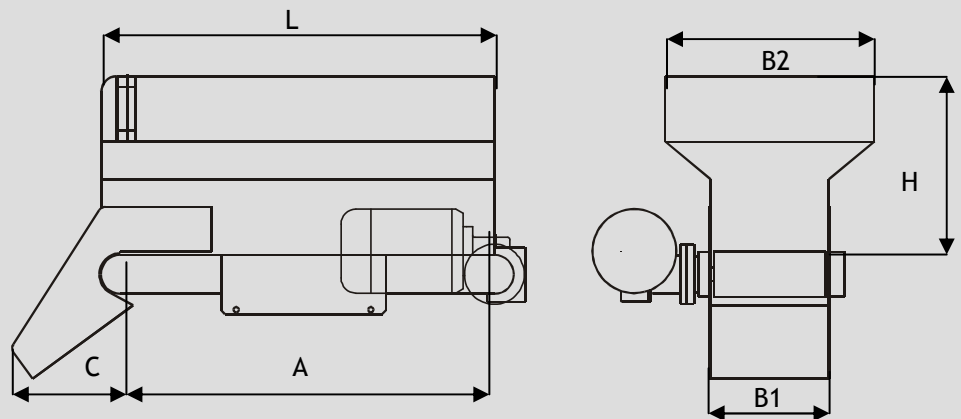
- Fill volume from 5 to 200 Litres
- Tank and Chute in stainless steel outside brushed
- Belt FDA-convenient
- Adjustable raised face in stainless steel
- Curtain lock
- 3-phase motor





Product Specifications

Hopper with 3-phase motor						
Type	BU-W 5	BU-W15	BU-W25	BU-W50	BU-W100	BU-W200
max. Fillvolume in Litre	5	15	25	50	100	200
max. Fillweight(kg)	15	50	70	80	100	100
Belt speed	2m/min					
Nominal voltage	230/400 V					
Current consumption (A)	0,37					
	or					
Nominal voltage	230 V					
Current consumption (A)	0,64					
Power (W)	90					
Control: Motorprotection with connection	We advise EBB 1ZDS or EBB 1ZS					
Accessories	Support stands					
Motorposition	The motor position is right (in running direction) in the standard design					



UK Contact:
RNA Automation Ltd
Hayward Industrial Park
Tameside Drive
Castle Bromwich
Birmingham B35 7BT
United Kingdom

Tel: +44 (0)121 749 2566
Fax: +44 (0)121 749 6217
Email: sales@rnaautomation.com
Web: www.rnaautomation.com

Type	L	A	B1	B2	H	C
BU-W 5	475	450	120	125	90	145
BU-W 15	475	450	120	250	205	145
BU-W 25	525	500	150	280	235	145
BU-W 50	825	800	250	380	235	145
BU-W 100	1025	1000	300	430	265	145
BU-W 200	1025	1000	300	430	470	145