



## Sorting and Feeding of Small Electrical components

## Feeding Systems



### TECHNICAL CONTACT

Roddy Kearey  
roddyk@rna-uk.com

<b>PART NAME</b>	Small electrical components	<b>DIRECTION</b>	ACW
<b>BOWL</b>	RNA-SOD323-40K-200L	<b>TREATMENT</b>	Anodised hard green
<b>SIZE</b>	D200XH30	<b>BOWL TOTAL WT (g)</b>	1348g
<b>AIR JET QTY</b>	4 pcs	<b>AIR PRESSURE</b>	0.3Mpa
<b>FEED RATE</b>	250 parts per minute		

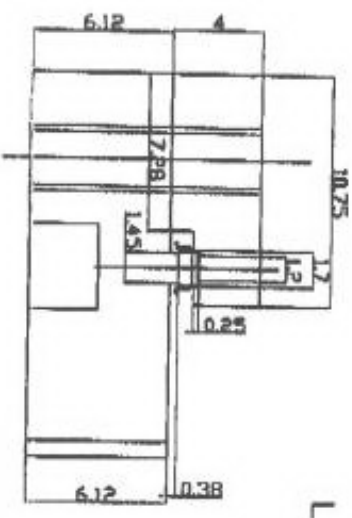
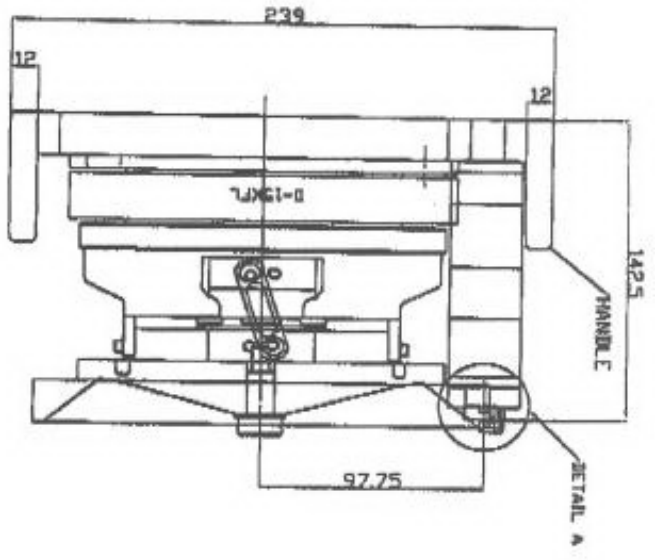


### RNA Automation Ltd

Hayward Industrial Park, Tameside Drive, Castle Bromwich, Birmingham, B35 7AG  
Tel: +44 (0)121 749 2566 Fax: +44 (0)121 749 6217  
Email: sales@rna-uk.com Web: www.rna-uk.com

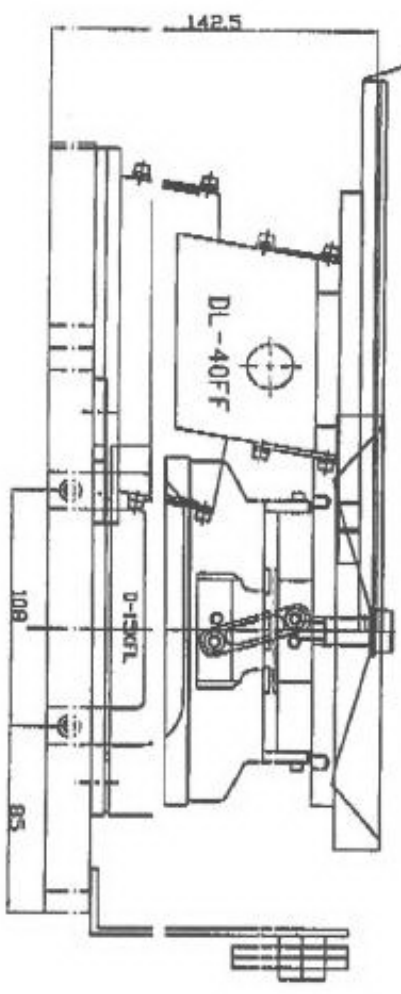
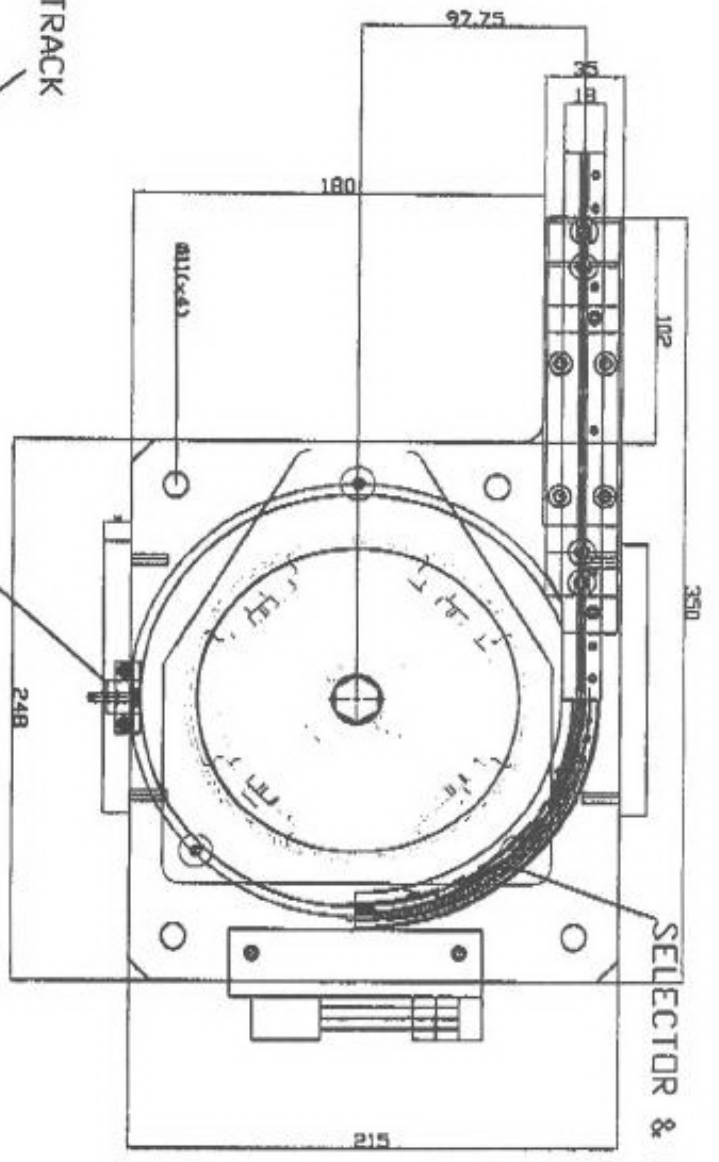


RNA Automation Ltd



DETAIL A  
10:1

LINEAR TRACK



QUICK OUTLET

SELECTOR & OUTLET